

safe·n·sound



COSY LUX DUO
5-IN-1 LIGHTWEIGHT DOUBLE STROLLER

IMPORTANT: KEEP THIS BOOKLET IN A SAFE PLACE FOR FUTURE REFERENCE

Series RM-S287T

STROLLER SECTION

- 4 Warnings
- 5 Important Notes
- 6 Manual Handling Techniques
- 7 What's In The Box: Parts
- 8 Stroller Features
- 9 Second Seat Features
- 9 Stroller Configurations

STROLLER ASSEMBLY

- 10 Opening the stroller frame
- 11 Attaching & removing the rear wheels
- 11 Attaching & removing the front wheels
- 12 Attaching the stroller seat
- 13 Attaching the canopy
- 14 Attaching the arm bar

STROLLER OPERATION

- 15 Attaching the shoulder harness pads
- 15 Using the brakes
- 16 Using the front wheel swivel lock
- 17 Adjusting the backrest
- 18 Adjusting the leg rest
- 18 Adjusting the pivot handle
- 19 Securing your child harness
- 20 Adjusting the harness
- 21 Opening the harness
- 21 Adjusting the shoulder harness height
- 21 Using the storage basket
- 22 Using the tether strap
- 23 Removing & reversing the stroller seat
- 24 Converting stroller to lay flat mode
- 25 Using the stroller
- 26 Folding the stroller

SECOND SEAT ASSEMBLY

- 27 Attaching the canopy
- 27 Attaching the shoulder harness pads
- 28 Attaching the second seat
- 28 Attaching the wheel guards
- 29 Attaching the second seat to frame
- 30 Adjusting the backrest
- 31 Installing and removing the seat extenders

BABY CAPSULE OPERATION

- 32 Baby Capsule Information
- 33 Installing & Removing The Britax Click & Go™ Adaptors Cosy Lux
- 33 Top Seat: Single And Tandem Mode
- 34 Bottom Seat: Tandem Mode
- 35 Attaching And Removing The Britax Baby Capsule
- 35 Top Seat: Single And Tandem Mode
- 35 Bottom Seat: Tandem Mode
- 36 Removing The Britax Baby Capsule

CARE & MAINTENANCE

- 37 General Maintenance & Repair
- 38 Cleaning

WARRANTY

- 40 Making a Warranty Claim
- 41 Australian Consumer Law
- 41 Safe-n-Sound® Warranty
- 41 International Warranty
- 42 Notes

OPTIONAL ACCESSORIES

Britax Click & Go™ baby capsule adaptors Cosy Lux
(Available online at britax.com.au)

COMPATIBLE WITH

Britax and competitor Baby Capsules.
For detailed information about compatibility refer to:

Australia:
britax.com.au



New Zealand:
britax.co.nz



Always follow the manufactures instructions.

Read all instructions carefully before assembly and use of this stroller.

The correct use and maintenance of this product is essential.

⚠ WARNING

- FOLLOW THE MANUFACTURER'S INSTRUCTIONS.
- PUT ON ALL THE BRAKES WHENEVER YOU PARK THE STROLLER.
- DO NOT LEAVE CHILDREN UNATTENDED.
- DO NOT CARRY EXTRA CHILDREN OR BAGS ON THIS STROLLER.
- MAKE SURE CHILDREN ARE CLEAR OF ANY MOVING PARTS IF YOU ADJUST THE STROLLER, OTHERWISE THEY MAY BE INJURED.
- THE VEHICLE IS NOT TO BE USED AS AN UNSUPERVISED SLEEPING ENVIRONMENT.
- SECURE THE CHILD IN THE HARNESS AT ALL TIMES.
- DO NOT USE ANY ACCESSORIES OTHER THAN THOSE APPROVED FOR USE WITH THIS STROLLER BY BRITAX.
- IT IS UNSAFE TO USE ACCESSORIES NOT APPROVED FOR USE WITH THIS STROLLER.
- THE MAXIMUM WEIGHT OF THE CHILD IS NOT TO EXCEED:
STROLLER MAIN SEAT WORLD FACING MODE: 20KG
STROLLER MAIN SEAT PARENT FACING MODE: 15KG
STROLLER MAIN SEAT PARENT FACING LAY FLAT MODE: 9KG
SECOND SEAT: 15KG

FOR IMPORTANT NOTES AND WARNINGS ON ACCESSORIES

REFER TO THEIR INDIVIDUAL SECTIONS IN THIS BOOK OR THE INSTRUCTION MANUAL INCLUDED WITH THE INDIVIDUAL PRODUCTS. THE MAXIMUM WEIGHT VARIES FOR EACH ACCESSORY.



THIS **CAUTION** SYMBOL IS SHOWN AT CERTAIN STEPS IN THIS INSTRUCTION MANUAL TO HIGHLIGHT THE DANGER OF BEING INJURED BY MOVING PARTS.

IMPORTANT NOTES

- Use great care when using the stroller on stairs, escalators, travelators or other moving surfaces.
- It is recommended to remove the child from the stroller before going up or down stairs or escalators.
- Do not lift the stroller by the arm bar (supplied) because it may disengage.
- Do not allow children to stand on the seat.
- Do not hang bags unless they are supplied or goods from the handle as this could cause the stroller to tip over.
- Do not use this second seat with any other models of strollers.
- The second seat must be correctly fitted and locked onto the stroller frame.
- The second seat can only be used in the forward facing position, connected to the rear of the stroller.
- Do not leave the stroller and its accessories near an open fire or exposed flame.
- Do not place more than 12kg in basket when in single mode or 4kg when in tandem mode.

THE SMART LIFTING TECHNIQUE

This technique can be used to pick up small light loads from low levels.

SIZE UP THE LOAD

- Assess the load (size, shape and weight).
- Assess whether the load needs to be moved.
- Where is it going to be placed, check that there are no obstructions.
- Assess whether mechanical or human assistance is required.

MOVE THE LOAD AS CLOSE TO THE BODY AS POSSIBLE

- A load is heavier to lift or carry if it is not close to the body.
- The whole hand should be used to ensure a firm grip.

ALWAYS BEND YOUR KNEES

- Maintain balance.
- Keep feet apart and in a comfortable position.
- Minimise lower back bending.
- Bend knees preferable at as large an angle as possible but not at a right angle use a semi squat in preference to a full squat.

RAISE THE LOAD WITH YOUR LEGS

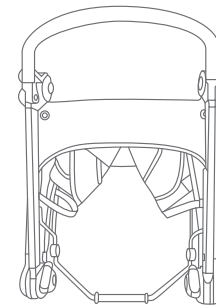
- Achieve the lift smoothly and without jerkiness.
- Maintain the normal curvature of the spine to allow the force of the load to be distributed evenly from the spine to the pelvis.

TURN YOUR FEET IN THE DIRECTION THAT YOU WANT TO MOVE THE LOAD

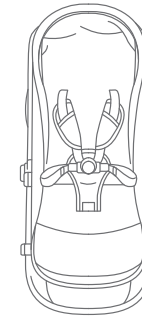
- Avoid unnecessary bending, twisting and reaching.
- Change direction by turning your feet and not your back.
- To set the load down, squat down, keep your head up and
- Let your legs do the work.

Remember to 'THINK TALL' chest lifted, shoulders relaxed, chin tucked in and head level.

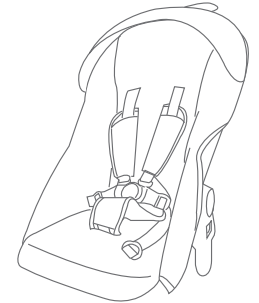
1 x Stroller Frame & Basket



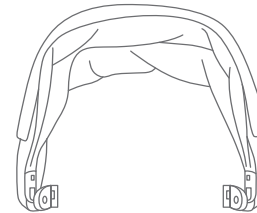
1 x Stroller Seat



1 x Second Seat



2 x Canopy



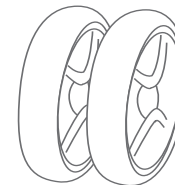
1 x Arm Bar



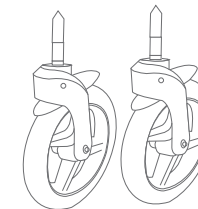
1 x Seat Extenders



2 x Rear Wheels

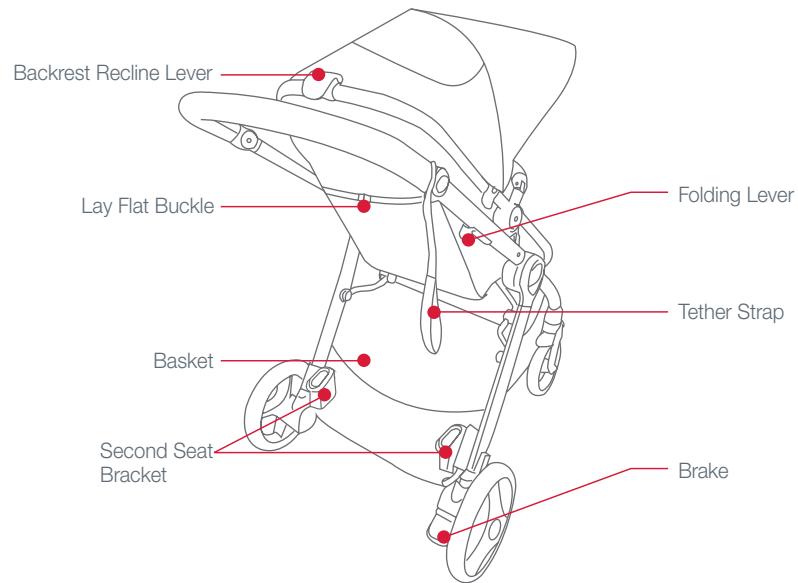
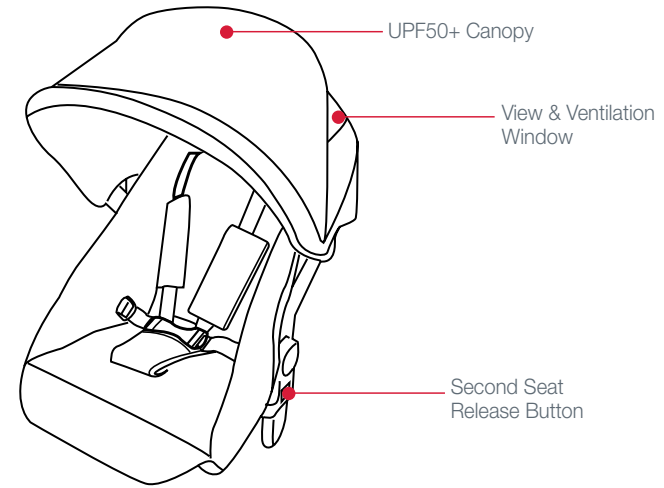
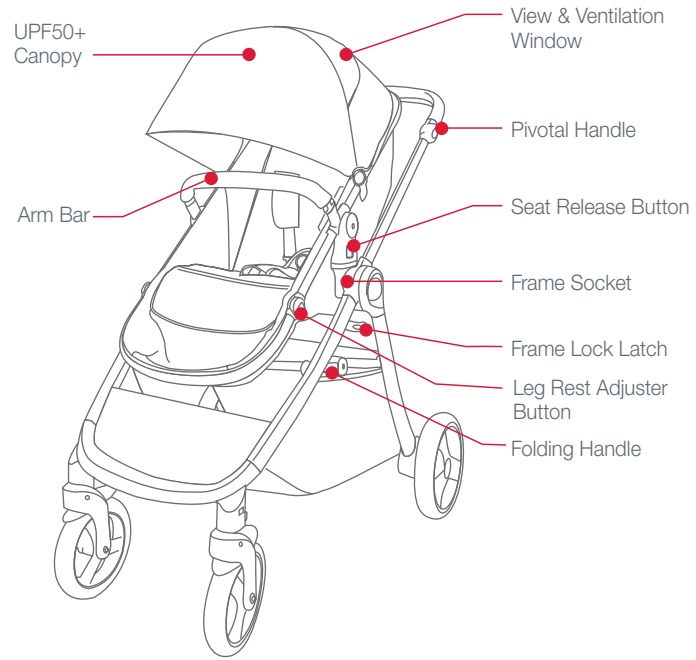


2 x Front Wheels

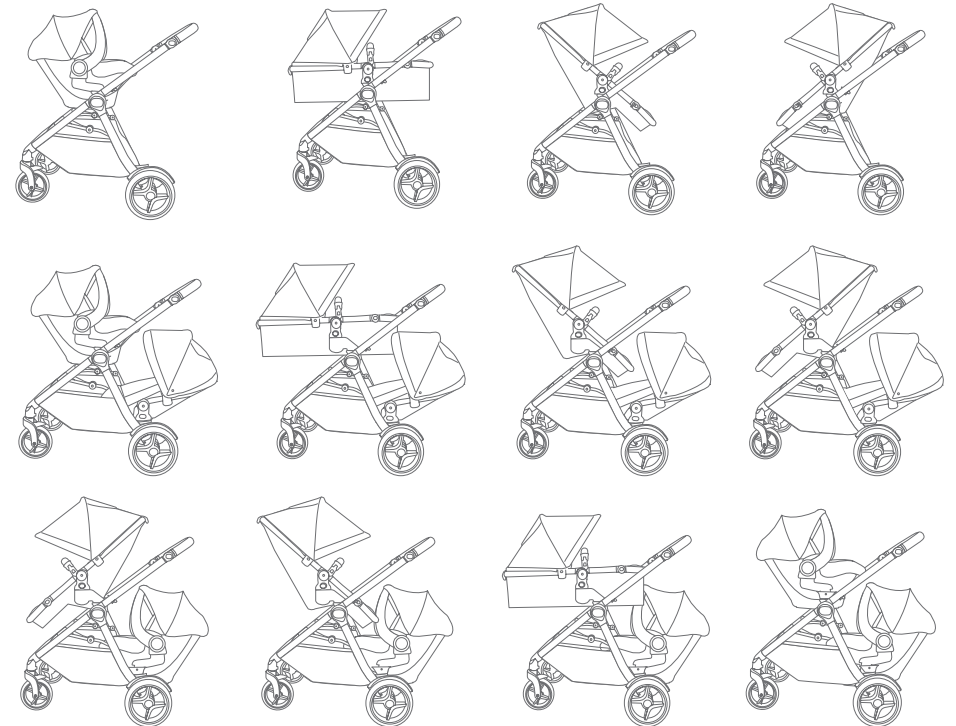


2 x Wheel Guards





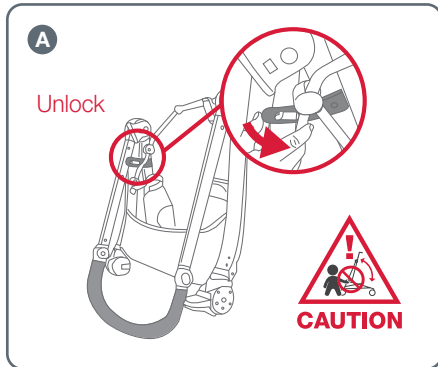
STROLLER CONFIGURATION



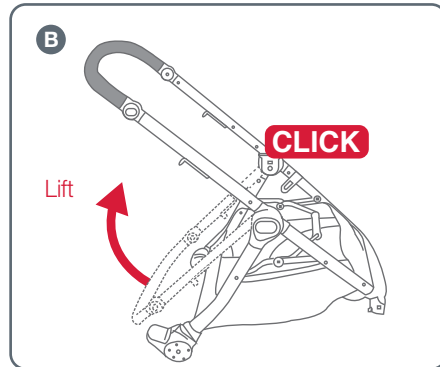
IMPORTANT NOTES:

PLEASE REFER TO PAGE 6 FOR SMART LIFTING TECHNIQUES.

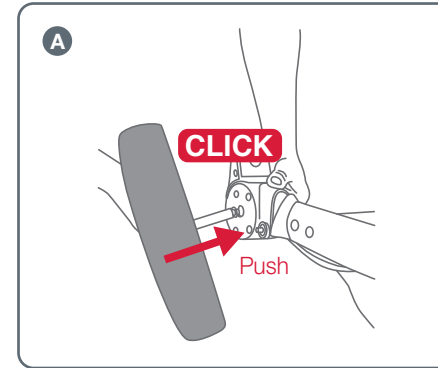
- Release the storage latch with due care and open the frame.
- When opening the stroller, be aware of the danger of being injured by moving parts and locking devices during the process. Keep all hands and limbs clear of these parts.
- There is potential for fingers or parts of the body to be injured when the stroller is being unfolded, due care should be exercised.
- Keep children clear of the stroller when unfolding the stroller.
- Open the stroller slowly and be careful where you place your hands. Keeping your hands on the handle is the best way to unfold the stroller.

OPENING THE STROLLER FRAME

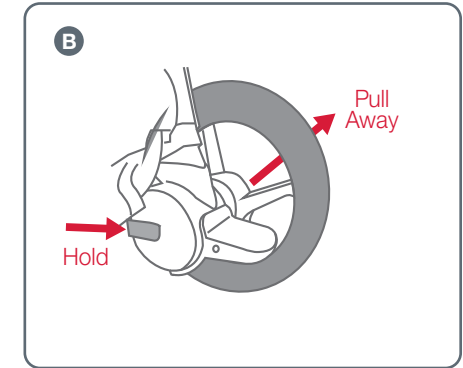
A Open the frame lock latches inside the frame. The lower part of the stroller will be open.



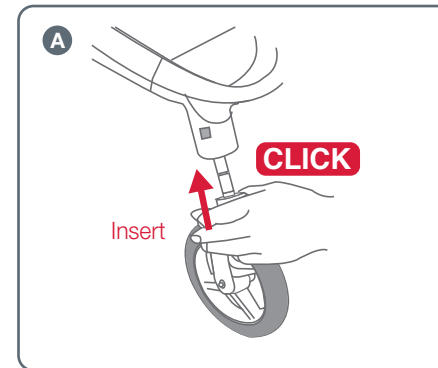
B Lift the handle upwards until the frame is fully open and locked.

ATTACHING & REMOVING THE REAR WHEELS

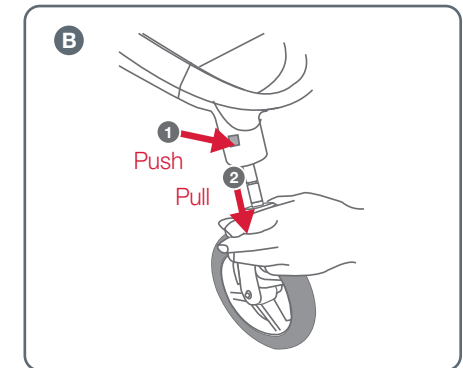
A Insert wheel axle into the moulding and push in until you hear a 'click'. Pull on each wheel to make sure it is securely attached. Repeat the process if not locked in.



B To remove the rear wheels, press and hold the release button in the wheel housing and pull away.

ATTACHING & REMOVING THE FRONT WHEELS

A Insert each front swivel wheel assembly into the wheel moulding and push in until you hear a 'click'. Pull on each wheel to make sure it is securely attached. Repeat the process if not locked in.

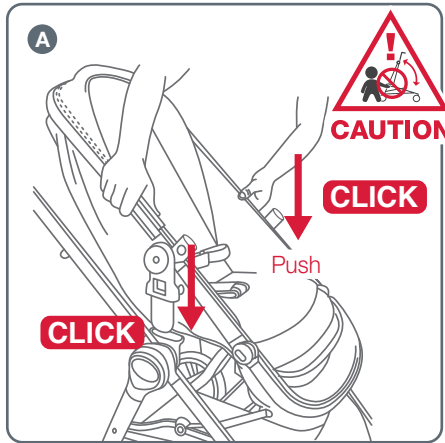


B To remove the front wheels, push the release button on wheel moulding.

ATTACHING THE STROLLER SEAT

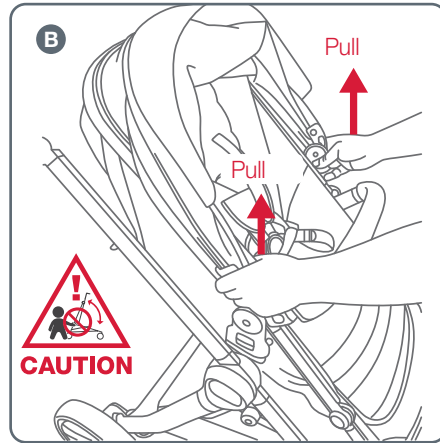
IMPORTANT NOTES

- Always remove your child from the stroller seat before installing, removing or changing the seat direction.
- The seat is reversible so it can be attached to the frame in the forward facing position or the rearward facing position.



A Hold the stroller seat over the frame and align the seat connectors with the frame sockets.

Push down on the seat until both stroller seat connectors have locked into the frame sockets.

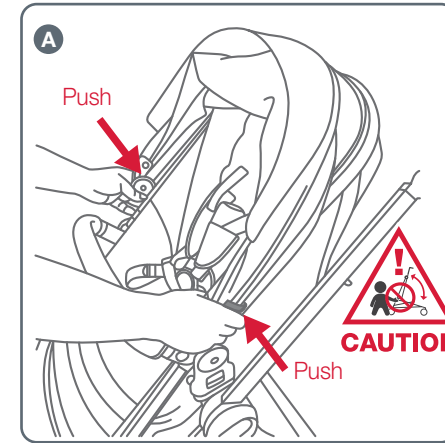


B Pull up on both sides of the seat to ensure the seat is locked.

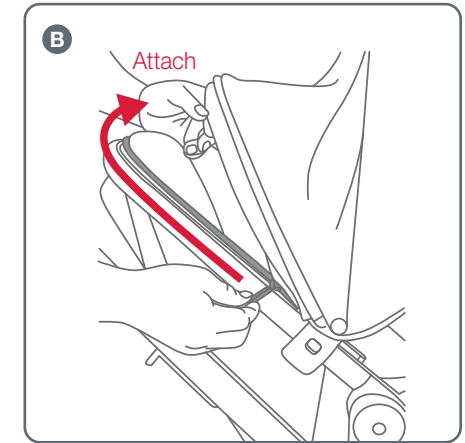
ATTACHING THE CANOPY

IMPORTANT NOTE

The sun is very strong. **DO NOT LEAVE YOUR CHILD EXPOSED TO THE SUN.** The canopy or hood on this product will not give your child total protection from the harmful rays of the sun.



A Place the canopy on the stroller seat and push the clips on the sides of the canopy onto the stroller seat until they snap into place.

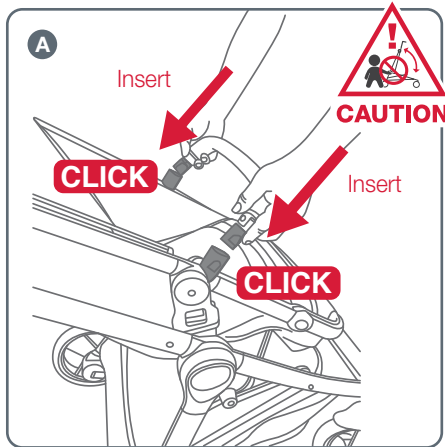


B Attach the canopy to the seat unit with the zipper.

ATTACHING THE ARM BAR

WARNING

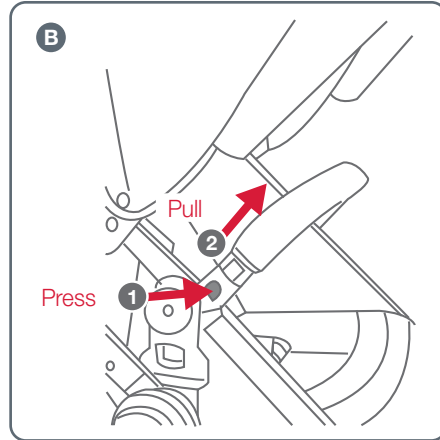
WHEN A CHILD IS IN THE STROLLER KEEP THE ARM BAR ATTACHED TO THE ADAPTORS AT ALL TIMES.



A Insert the arm bar mouldings into the sockets on each side of the stroller frame and push down on the arm bar until you hear a 'click'.

To assist with putting a child in the stroller, you can release the arm bar on one side. Press the button on the side of the arm bar moulding and pull the arm bar up and out of the socket. Rotate the arm bar clear of the stroller.

Reattach the arm bar after fastening the child in the harness.

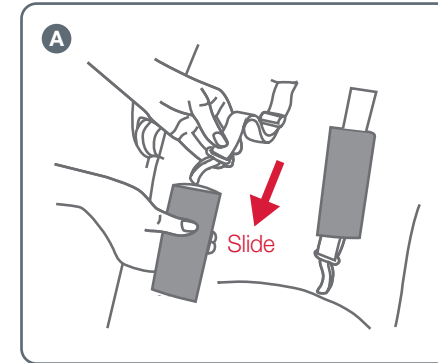


B To remove the arm bar, press the button on each side of the arm bar moulding and pull arm bar up and out of the sockets.

ATTACHING THE SHOULDER HARNESS PADS

IMPORTANT NOTE

Ensure that the shoulder straps are fitted through the appropriate harness slots to suit your child's seated shoulder height. (Refer to Page 20)

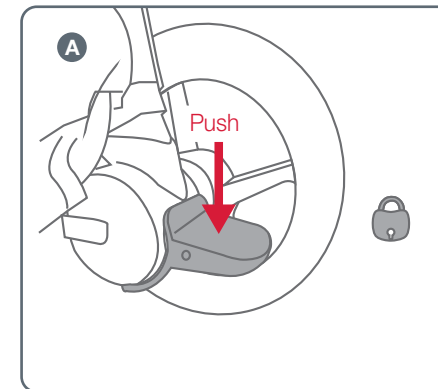


A Slide the shoulder harness pads onto the shoulder harness straps and adjust to the position which fits comfortably on the child.

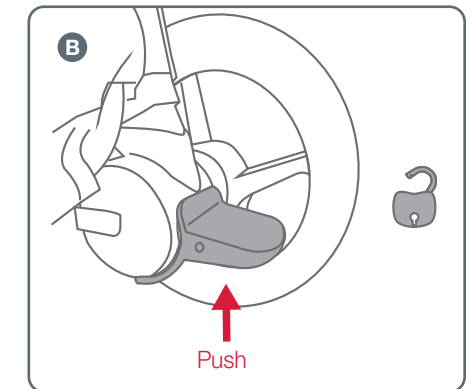
USING THE BRAKES

WARNING

ALWAYS APPLY THE BRAKES WHEN THE STROLLER IS STATIONARY.



A Push down the brake pedal to engage the brake.



B Push the brake pedal upward until the brake is disengaged.

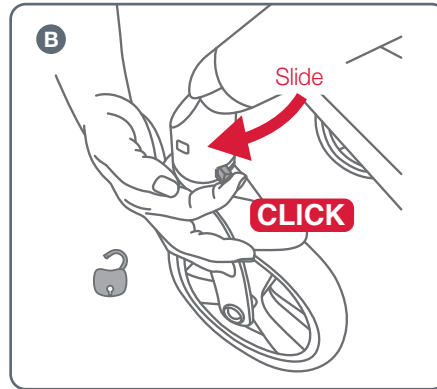
USING THE FRONT WHEEL SWIVEL LOCK

PLEASE NOTE

- Always lock the swivel wheels when using the stroller on rough surfaces as this will minimise wheel wobble.
- The swivel wheels should only be locked when the wheels are in the trailing position (wheels under frame).



A To lock the front wheels into the fixed position, slide the swivel wheel locking clip towards the inside of the frame until you hear a 'click'.

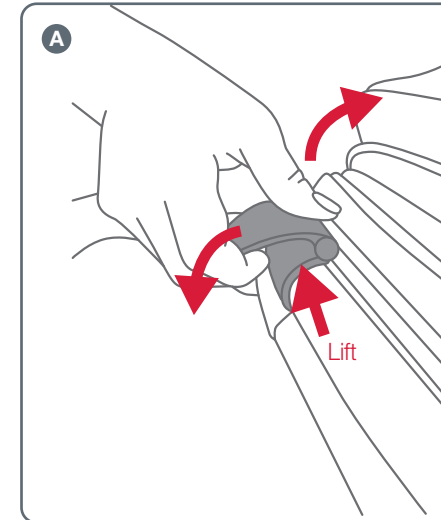


B To allow the wheels to swivel, slide the black swivel wheel locking clip towards the outside of the frame until you hear a 'click'.

ADJUSTING THE BACKREST

⚠ WARNING

- THE UPRIGHT POSITIONS ARE NOT SUITABLE FOR USE WITH CHILDREN LESS THAN 6 MONTHS OLD.
- THE LOWEST RECLINE POSITION (LAY FLAT MODE) SHOULD BE USED TO TRANSPORT BABIES (0-9KG NEWBORNS TO 6 MONTHS OLD APPROX.). THE BACKREST CAN BE ADJUSTED TO A MORE UPRIGHT POSITION AS THE CHILD GROWS OLDER AND IS ABLE TO SUPPORT ITS HEAD WITHOUT ASSISTANCE.
- IF THE CHILD IS SITTING IN THE SEAT, SUPPORT THE BACKREST AS IT RECLINES. IF YOU HAVE DIFFICULTY ADJUSTING THE BACKREST YOU MAY NEED TO REMOVE THE CHILD FROM THE SEAT TO ALLOW YOU TO RAISE OR LOWER THE BACKREST WITH EASE.



A Lift the recline lever on the back of the seat and hold while raising or lowering the backrest to the desired position.

There are 3 recline modes:

- Awake mode (seat upright),
- Rest mode (seat semi recline) and
- Lay Flat-Sleep mode (complete lay flat recline) ideal for newborns.

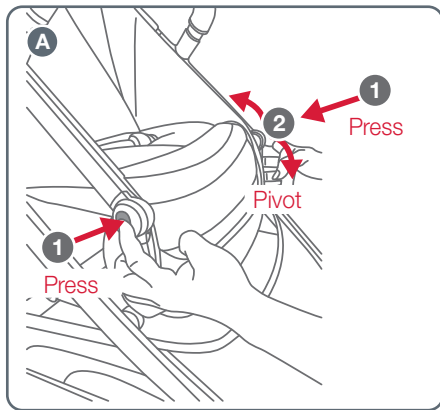
PLEASE NOTE

There are three backrest positions, including lay flat mode ideal for newborns.

ADJUSTING THE LEG REST

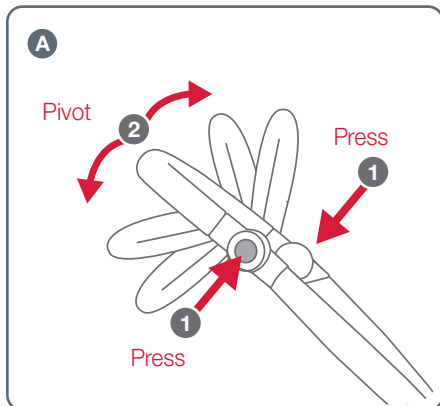
IMPORTANT NOTES

- The leg rest feature is provided for your child's comfort.
- The leg rest is not designed to support extra weight.
- Do not allow children to stand or sit on the leg rest, it will disengage if extra weight is applied.
- If leg rest disengages simply lift up again to reset leg rest mode.



A Press the two release buttons on both sides of the leg rest hinge and hold while raising or lowering the leg rest to the desired position.

ADJUSTING THE PIVOT HANDLE



A Press the two release buttons on the outside of the handle and hold while raising or lowering the handle to the desired position.

When the desired height has been achieved let go of both release buttons.

SECURING YOUR CHILD HARNESS

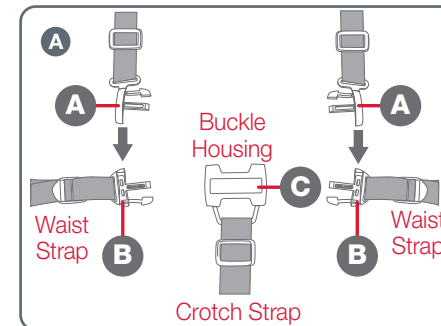
⚠ WARNING

- ENSURE YOUR CHILD IS SECURED WITH A CORRECTLY ADJUSTED HARNESS.
- THE ADJUSTED HARNESS SHOULD CLOSELY FIT THE CHILD.
- NEVER LEAVE THE HARNESS BUCKLED WHEN NOT FITTED TO A CHILD IN THE STROLLER, BECAUSE THE HARNESS CAN FORM LOOPS WHICH MAY POSE A STRANGULATION HAZARD.
- WHEN HARNESS IS NOT IN USE, DISCONNECT SHOULDER STRAPS FROM THE WAIST STRAPS AND BUCKLE TO PREVENT STRANGULATION.
- A five point harness is provided to restrain your child.
- Buckle tongues separate for added safety.
- To reconnect buckle tongues and to secure the child in the harness please follow the steps below carefully.

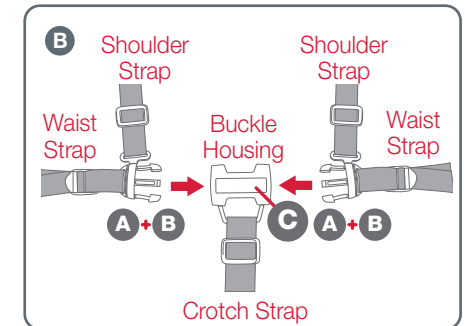
PLEASE NOTE

Each waist buckle tongue has a raised rib on one side and can only be locked into the buckle assembly with the raised rib facing up. Ensure the harness straps are not twisted as they may become uncomfortable for the child.

Always apply the brakes before placing child in stroller seat. Position the shoulder strap near the child's shoulder and position crotch strap between legs.



A Position the shoulder strap tongue (A) on top of the waist buckle tongue (B) on both sides.

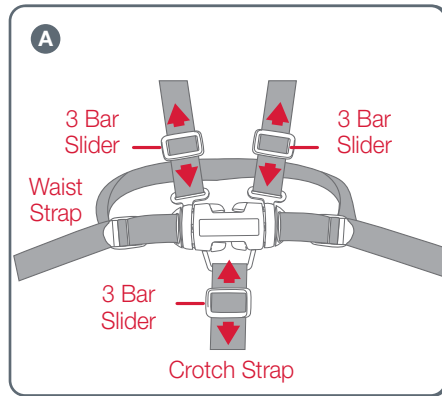


B Push both buckle tongues (A + B) into the buckle housing (C) until the buckle tongues lock into position.

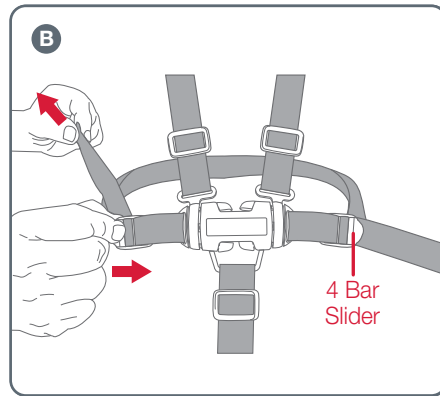
⚠ WARNING

USE THE HARNESS AT ALL TIMES.

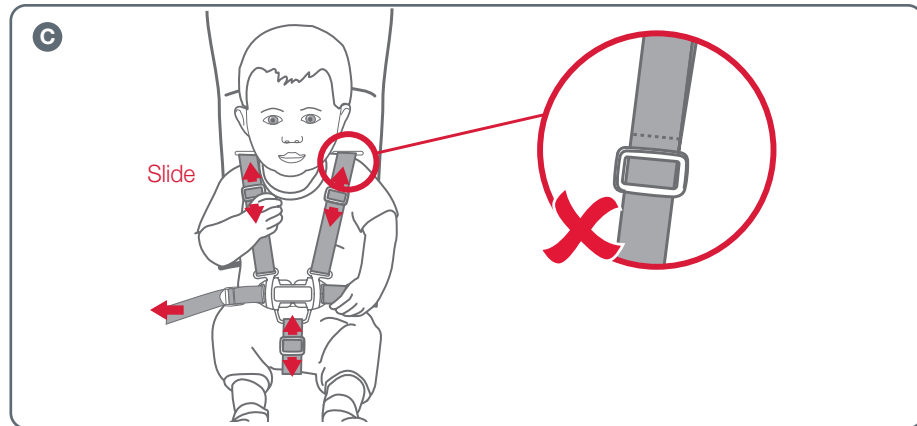
ADJUSTING THE HARNESS



A Tighten or loosen the shoulder straps and crotch strap by sliding the 3 bar slider up or down. The crotch strap should be adjusted to a snug fit.



B Tighten or loosen the waist straps, hold and lift the 4 bar slider and pull the harness strap to adjust to the desired fit. The waist strap needs to fit firmly around the child.

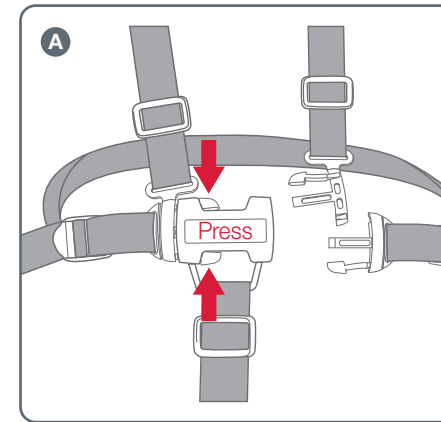


C To tighten or loosen the shoulder straps, slide the 3 bar slider up or down to adjust to the desired fit. Always adjust the harness strap when changing the seating position of the child.

⚠ WARNING

DO NOT SLIDE 3 BAR SLIDER OVER THE SEWN TAB ON SHOULDER HARNESS.

OPENING THE HARNESS

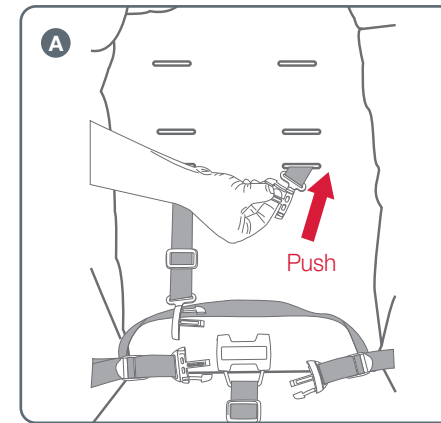


A To release the buckle, squeeze the top and bottom buckle tongues together with enough pressure so the buckle tongues can release from the buckle housing.

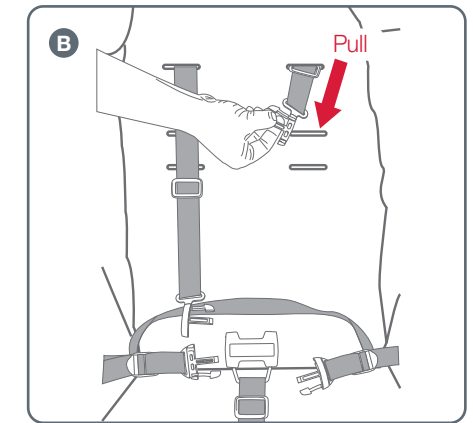
ADJUSTING THE SHOULDER HARNESS HEIGHT

IMPORTANT NOTE

The harness can be adjusted to three different heights to accommodate the child. The shoulder straps must be positioned near the child's shoulders.



A To change the shoulder harness height, push the shoulder harness tongue out of the current harness slot and through the back of the seat.



B Select the appropriate shoulder harness height and pull each shoulder harness tongue through the harness slot.

USING THE STORAGE BASKET

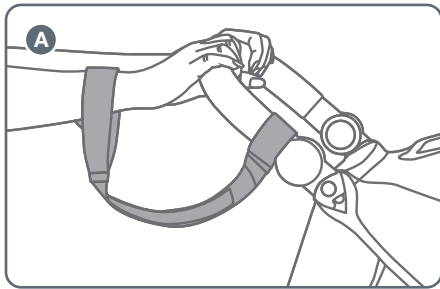
IMPORTANT NOTE

Do not place more than 12kg in basket when in single mode or 4kg when in tandem mode.

USING THE TETHER STRAP

WARNING

- THE STROLLER IS DESIGNED FOR USE ON FLAT OR GENTLY SLOPING SURFACES, AND MAY BE UNSTABLE ON HIGHER SLOPING AND UNEVEN SURFACES - USERS SHOULD BE AWARE OF THE POSSIBILITY OF THE STROLLER ROLLING AWAY OR TIPPING OVER.
- NEVER LET GO OF THE STROLLER WHEN PARKED ON AN INCLINE OR SLOPING SURFACE BECAUSE IT MAY SLIDE OR TIP OVER. ALWAYS PARK ON A FLAT SURFACE AND APPLY THE BRAKES.
- ALWAYS APPLY THE BRAKES WHENEVER THE STROLLER IS STATIONARY.



A A wrist tether strap is provided hand through the tether strap loop whenever you use the stroller. Only remove your hand from the tether strap loop when the brakes have been applied to the stroller wheels.

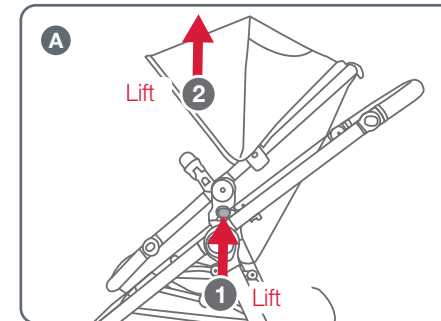
WARNING

USE THE TETHER STRAP TO STOP THE STROLLER ROLLING AWAY.

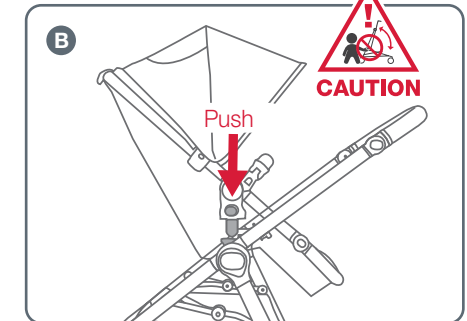
REMOVING & REVERSING THE STROLLER SEAT

IMPORTANT NOTE

- Always remove your child from the stroller seat before installing, removing or changing the seat direction.
- **PLEASE NOTE:** The seat is reversible so it can be attached to the frame in the forward facing position or the rearward facing position.
- The maximum weight of the child using this stroller in rearward facing position (parent facing) is 15kg.



A Lift both release levers on the seat connectors at the same time and lift the seat up and away from the stroller frame.

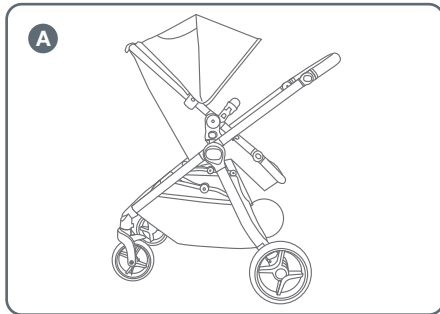


B Turn the seat facing opposite direction and then attach the stroller seat to the frame in the rearward facing position.

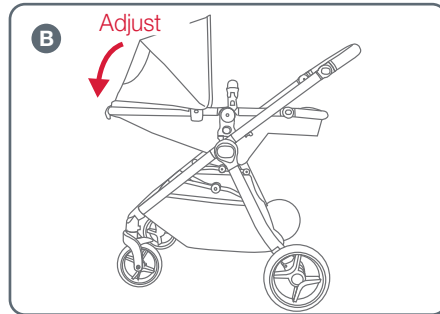
CONVERTING STROLLER TO LAY FLAT MODE

⚠ WARNING

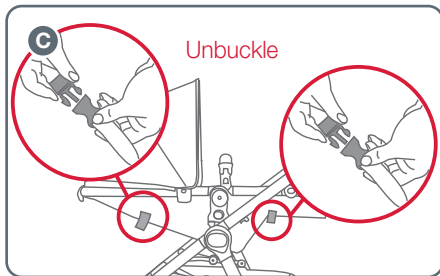
- USE HARNESS AT ALL TIMES.
- DO NOT USE LAY FLAT MODE ONCE THE CHILD CAN SIT UP UNAIDED.
- THE LAY FLAT MODE CAN ONLY BE USED ON THE STROLLER FRAME, IT CAN NOT BE USED ON ITS OWN.
- THE MAXIMUM WEIGHT OF THE CHILD USING LAY FLAT MODE IS NOT TO EXCEED 9KG.
- DO NOT LEAVE CHILD UNATTENDED.
- DO NOT USE FOR UNSUPERVISED SLEEPING



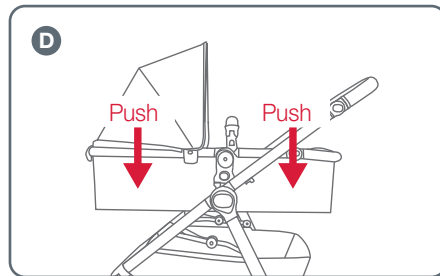
A Stroller must be on parent facing mode.



B Using the recline lever adjust the backrest to the lowest position.



C Unbuckle the clips on the backrest and under the leg rest.



D Push down the backrest and leg rest to complete Lay Flat set up. Use harness to secure the baby at all times.

USING THE STROLLER

PLEASE REFER TO PAGE 6 FOR SMART LIFTING TECHNIQUES.

- Always ensure you bend your knees where appropriate and take due care when lifting the frame.
- With your hand through the wrist tether strap loop, push the stroller holding the handle.
- The stroller can be steered in the desired direction - allowing the front wheels to swivel will make this easier.
- The front wheels may wobble or oscillate when walking fast, locking the front swivel wheels will stop this.
- The stroller can be taken up kerbs by either pressing down on the handles and raising the front wheels or turning the stroller around and pulling the stroller up the kerb.
- Caution is required when pushing the stroller on a steep slope as the stroller may become unstable. Always hold the handle firmly.
- Do not run with the stroller.
- Whenever you stop, always apply the brakes before you leave the stroller.
- Do not hang bags or goods unless it is supplied from the handle. Use the storage basket.

FOLDING THE STROLLER

PLEASE REFER TO PAGE 6 FOR SMART LIFTING TECHNIQUES.

IMPORTANT NOTES

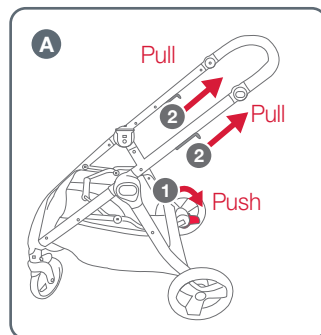
- Remove the child from the stroller before commencing any folding operation.
- Fold the stroller slowly and be careful where you place your hands.
- When folding the stroller, be aware of the danger of being injured by moving parts and locking devices during the process. Keep all hands and limbs clear of these parts.
- There is potential for fingers or parts of the body to be injured when the stroller is being folded, due care should be exercised.
- Keep children clear of the stroller during folding the stroller.
- Ensure that the storage latch is engaged when lifting or carrying the vehicle.
- **PLEASE NOTE:** The stroller seat and wheels can be removed to reduce the total folded size.

FOLDING TIPS:

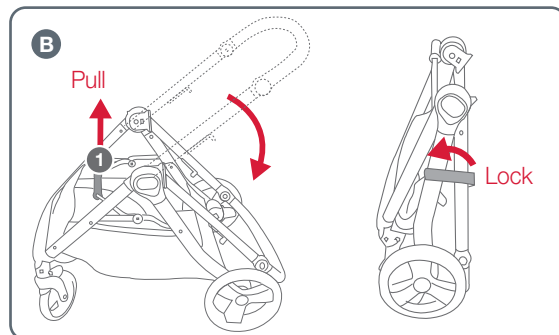
For easier handling, it is recommended to remove the stroller seat from the frame (Refer to Page 23) before folding. Then fold the frame and put both the seat and frame in the car. For smaller cars it may be convenient to simply remove the rear wheels.

IMPORTANT NOTES

- Make sure the seat is in upright position before folding if seat is attached.
- Remove the baby capsule if connected to the frame prior to folding.
- The second seat **MUST** be removed prior to folding.
- The rain cover must also be removed if fitted.



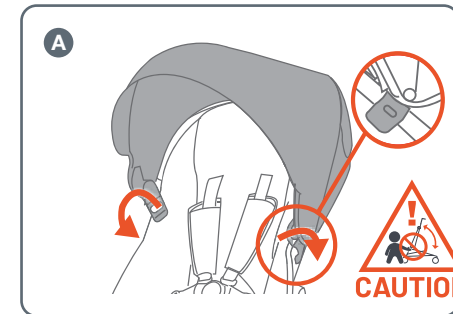
A Engage the brake. Pull the latches on the handle tube upwards and drop down the handle all the way.



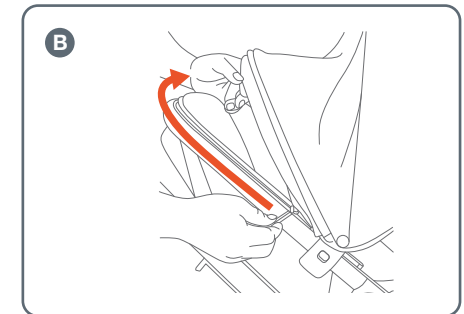
B Pull the folding handle under the stroller seat upwards until you hear a 'click' and the frame is fully folded and the frame lock latch is locked in properly.

ATTACHING THE CANOPY

IMPORTANT NOTE: The sun is very strong. Do not leave your child exposed to the sun. The canopy or hood on this product will not give your child total protection from the harmful rays of the sun.



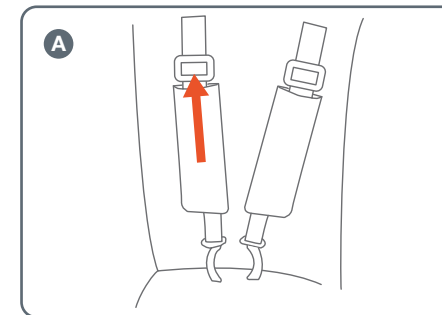
A Place the canopy on the second seat and push the clips on the sides of the canopy onto the second seat frame until they snap into place.



B Attach the canopy to the seat unit with the zipper. There is peek a boo window with magnetic closer for better ventilation.

ATTACHING THE SHOULDER HARNESS PADS

IMPORTANT NOTE: Ensure that the shoulder straps are fitted through the appropriate harness slots to suit your child's seated shoulder height.



A Slide the shoulder pads through the shoulder harness straps and adjust to the position which fits comfortably on the child.

ATTACHING THE SECOND SEAT

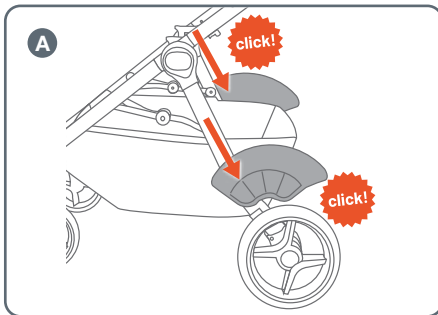
IMPORTANT NOTE:

PLEASE REFER TO PAGE 6 FOR SMART LIFTING TECHNIQUES.

- Cosy Lux Duo second seat is designed to fit Cosy Lux Duo stroller only.
 - When fitting, opening, or folding the second seat, be aware of the danger of being injured by moving parts and locking devices during the process. Keep all hands and limbs clear of these parts.
 - There is potential for fingers or parts of the body to be injured when the stroller is being folded or unfolded, due care should be exercised.
 - Keep children clear of the stroller during folding of the stroller.
- ✔ TIP: Extension adaptors must be used to create more space between the top seat and second seat. (refer to page 31)

SAFETY WARNING: Before using the second seat, the wheel guards must be installed:

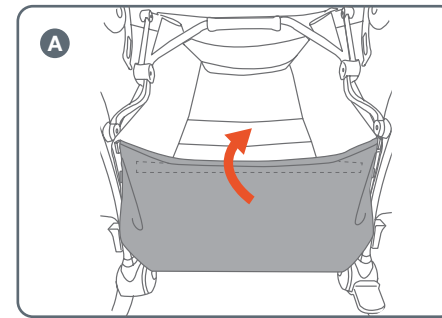
ATTACHING THE WHEEL GUARDS



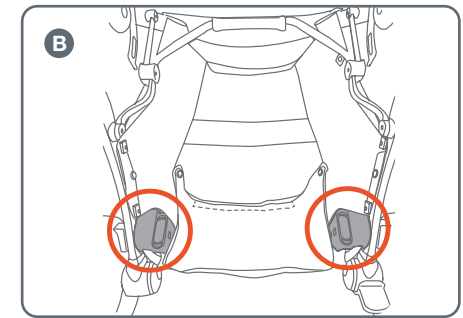
A Slide each guard onto the mounting bracket above each rear wheel housing and push down until it locks into place.

There is left and right wheel guard. Please ensure it is locked.

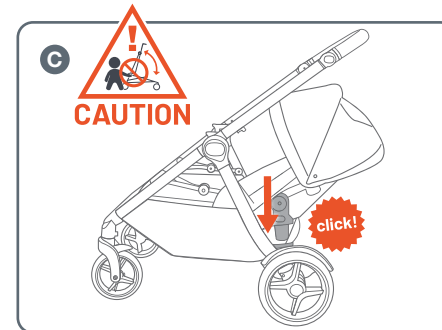
ATTACHING THE SECOND SEAT TO THE FRAME



A To attach the second seat to the stroller frame, release the press studs at the rear of the basket. Fold the basket flap forward and align the hook and loop.



B Line up the second seat connectors to the second seat frame socket inside of the stroller frame (located on inside of the rear wheel housing).




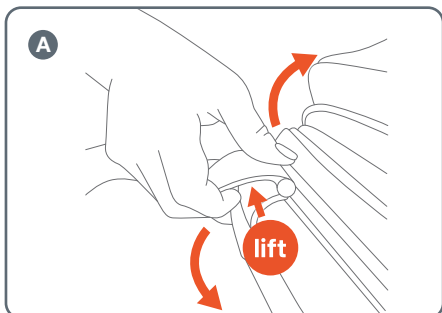
C Push down the second seat until it locks. Pull up on both sides of the seat to ensure the seat is locked.

ADJUSTING THE BACKREST


WARNINGS

- THE UPRIGHT POSITIONS ARE NOT SUITABLE FOR USE WITH CHILDREN LESS THAN 6 MONTHS OLD.
- THE LOWEST RECLINE POSITION SHOULD BE USED TO TRANSPORT BABIES. THE BACKREST CAN BE ADJUSTED TO A MORE UPRIGHT POSITION AS THE CHILD GROWS OLDER AND IS ABLE TO SUPPORT ITS HEAD WITHOUT ASSISTANCE.

 **TIP:** If the child is sitting in the seat, support the backrest as it reclines. If you have difficulty adjusting the backrest you may need to remove the child from the seat to allow you to raise or lower the backrest with ease.



A Lift the recline lever on the back of the seat and hold while raising or lowering the backrest to the desired position.

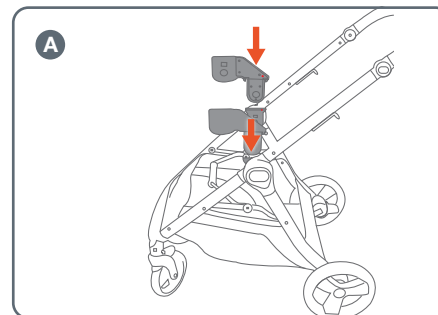
PLEASE NOTE:

There are three backrest positions.

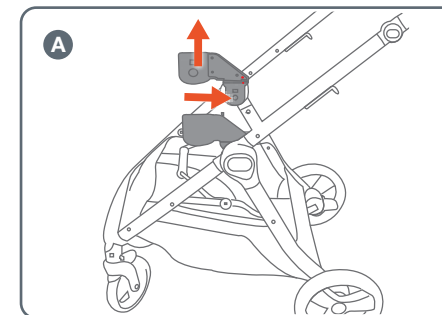
INSTALLING AND REMOVING THE SEAT EXTENDERS

IMPORTANT NOTE:

- Seat extenders are supplied to create more space between the top seat and the second seat when in tandem mode use.
- Please adjust seat positions and do not use the positions if there isn't enough space for lower occupant.



A Select the extension adaptor that has a coloured dot and align with the coloured dot on the frame socket. Note: Coloured dots are only on one side of the frame socket. Firmly press down on the Extension adaptor until you hear a 'click' and a green indicator can be seen through a window in the frame socket. Repeat on the other side with the receiver with no coloured dot. To ensure the receiver is engaged pull upwards.



A To remove the extension adaptors, press in and hold the button on the inside of the receiver and pull up the extension adaptors out of the frame sockets.

BABY CAPSULE INFORMATION

⚠ WARNING

- IT IS UNSAFE TO USE ACCESSORIES NOT APPROVED FOR USE WITH THIS STROLLER.
- DO NOT USE ANY ACCESSORIES OTHER THAN THOSE APPROVED FOR USE WITH THIS STROLLER BY BRITAX.
- DO NOT EXCEED THE MAXIMUM WEIGHT CAPACITY ON THE BABY CAPSULE*.

IMPORTANT NOTES

- This stroller is compatible with Britax and competitor baby capsules*.
- Only use baby capsules that are compatible to fit this stroller.

*For detailed baby capsule information on maximum weight capacity and compatibility, refer to:

Australia:
britax.com.au



New Zealand:
britax.co.nz

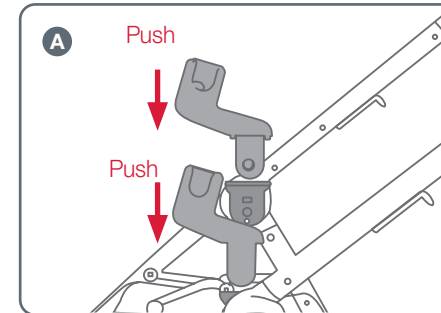


- Remove the stroller seat from the stroller frame before installing the baby capsule.
- The baby capsule must be correctly fitted and locked onto the frame.
- The baby capsules must only be used on the following positions: Top capsule rearward facing position (baby facing parent) and bottom capsule forward facing position (baby facing world).
- Secure the child using the baby capsule harness at all times.
- Do not leave the child in the baby capsule for extended periods.
- The baby capsule is designed to provide mobility outside of the car but it should not be used instead of an appropriate cot.
- The baby capsule must be removed from the stroller frame before folding.
- The sun is very strong. Do not leave your child exposed to the sun. The canopy or hood on this product will not give your child total protection from the harmful rays of the sun.

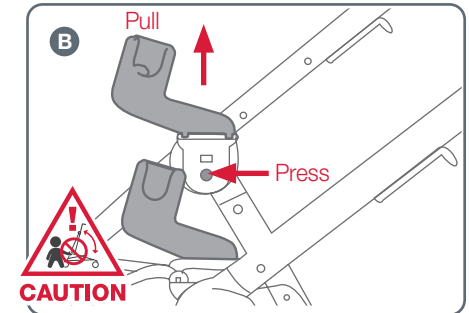
INSTALLING AND REMOVING THE BRITAX CLICK & GO™ BABY CAPSULE ADAPTORS COSY LUX (SOLD SEPARATELY)

⚠ WARNING

THE BABY CAPSULE ADAPTORS MUST BE ATTACHED TO THE STROLLER FRAME BEFORE INSTALLING THE BABY CAPSULE.

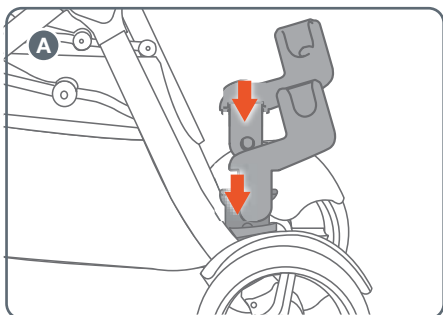
TOP SEAT: SINGLE & TANDEM MODE

A Engage the stroller brake first. Align the baby capsule adaptors to the stroller frame socket and push down until you hear a 'click' sound and locks into position. Ensure adaptors are locked correctly by pulling up to check.

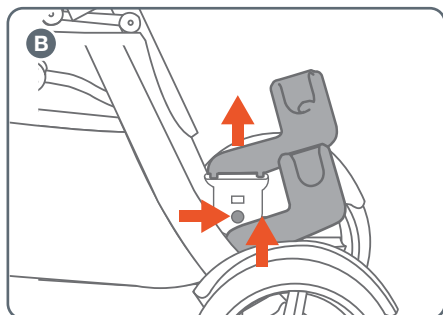


B To remove the adaptors, press in and hold the button on the bottom of the adaptor socket and pull up the adaptors out of the frame sockets.

BOTTOM SEAT: TANDEM MODE ONLY



A Place baby capsule adaptors on second seat sockets.



B To remove the adaptors, press in and hold the button on the bottom of the adaptors then pull up and out of the frame sockets.

ATTACHING & REMOVING THE BRITAX BABY CAPSULE (SOLD SEPARATELY)

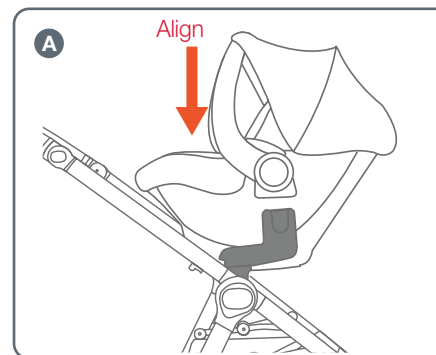
PLEASE NOTE

These instructions are for installing and removing the Britax baby capsule on the stroller only. For installing and proper use of the baby capsule in the car, please follow the instructions manual provided with the baby capsule.

Ensure the baby is secured in the baby capsule with the harness at all times. Refer to the baby capsule instruction manual regarding placing and securing your baby in the baby capsule.

For attaching or removing competitor baby capsules refer to instruction manual provided with the baby capsule.

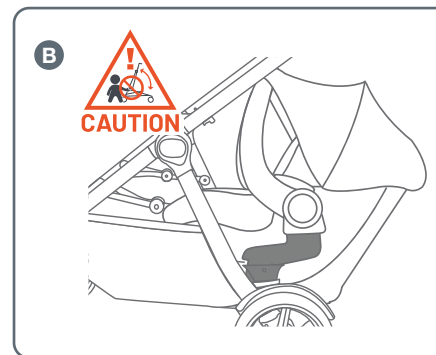
TOP SEAT: SINGLE & TANDEM MODE



A Attaching the baby capsule:
Engage the stroller brake. Align baby capsule with the baby capsule adaptors and press down until you hear a 'click'. Pull up the baby capsule to ensure it is locked into the stroller frame.

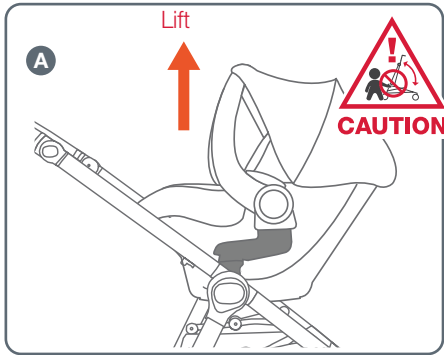
Note: The baby capsule must be on parent facing mode (facing the stroller handlebar).

BOTTOM SEAT: TANDEM MODE ONLY



B Engage stroller brake. Align the baby capsule to the baby capsule adaptors on the bottom seat. Follow step A. Note: The baby capsule must be in world facing mode (facing the front wheels).

REMOVING THE BRITAX BABY CAPSULE



A Before removing the baby capsule, engage the stroller brake first.

Pull and hold the release lever on the back of the baby capsule and lift to remove from the adaptors on the stroller frame.

GENERAL MAINTENANCE & REPAIR

- To maintain the safety and longevity of the stroller, seek prompt repairs or replacement for bent, torn, worn, or broken parts. Do not continue to use the stroller if unsafe.
- All repairs should only be carried out by an authorised Safe-n-Sound® repairer. Only Safe-n-Sound® replacement parts should be used with the stroller. It may be unsafe to use parts supplied from another manufacturer.

GENERAL TIPS

Do not store the stroller in your car for prolonged periods of time during summer as it may lead to damage to some of the plastics components.

Do not leave the stroller in direct sunlight for extended periods of time, as colours of some fabrics may fade, and tyres may deteriorate.

Do not fold or store the stroller if damp or wet, as fabric may develop mould or mildew. Always store the stroller inside in a dry, well-ventilated area.

Do not place heavy objects on top of the stroller as it may alter the shape.

If there are compression marks on the tyres, use a domestic hair dryer to gently warm (DO NOT OVERHEAT) the tyre and the compression marks should slowly disappear.

Should you have any further questions on care & maintenance of the stroller, please contact our Consumer Service Team at:
aunz-support@britax.com

CLEANING FABRICS

- Removable fabrics may be cleaned using lukewarm water and soap or mild detergent. Rinse thoroughly and allow to dry away from direct sunlight.
- Non-removable fabrics can be spot cleaned using a damp sponge and soap or mild detergent. Allow to dry completely before re-use or storage.
- Never use bleach, or abrasive cleaning products.
- DO NOT iron or dry clean.

NOTE: DO NOT place any of the stroller fabrics in the dryer.

Allow to dry naturally, away from direct sunlight.

FRAME

- Remove dirt and dust away from any moving mechanism.
- Clean frame with a soft damp cloth and soap or mild detergent and allow to dry thoroughly.
- DO NOT use abrasive cleaning products as it may cause stains, discolouration or scratches to the frame.
- DO NOT soak or submerge frame in water.
- DO NOT remove, dismantle or alter any part of the stroller mechanism or brakes.

LEATHERETTE

- Spot clean with a damp soft cloth.
- DO NOT use a dripping wet cloth or wet the leatherette excessively.

WHEELS

- Remove wheels from stroller.
- Clean with damp cloth and soap or mild detergent. Use brush to remove dirt and mud build up around the tyre. Allow to dry thoroughly before placing wheels back on the frame.
- If necessary lubricate wheel shaft with a small amount of lubricant before placing into the stroller.
- Ensure the stroller is cleaned thoroughly after using it on the beach as sand and salt can damage stroller mechanism, wheel assembly, causing premature wear and corrosion.

PLEASE NOTE

Our product warranty does not cover any rust to the rivets or screws, if you are caught in the rain or at the beach always thoroughly dry the frame to avoid any rust damage.

Just like servicing your car or bicycle, prams and strollers also need **regular maintenance checks**. These checks can improve product performance, extend the life of your stroller and help to provide you and your children a safe and smooth journey.



We recommend servicing your stroller every 6 months and completing an inspection once a month. To prolong the life of your stroller, a regular maintenance should be performed.

5 STEP CHECK LIST

- 1 INSPECT SAFETY DEVICES** tether strap, frame lock, harness, buckle and brakes, and ensure all are in working order and free from dirt, sand, and debris.
- 2 INSPECT** all connecting rivets and screws are secure.
- 3 MAKE SURE FOLDING JOINTS** are free of dirt, dust, and debris by cleaning with a damp cloth, allow to dry and lightly spray with a dry silicon lubricant. Please carefully read the lubricant instructions prior to use.
- 4 REMOVE WHEELS** and wipe clean with a damp cloth to remove any dirt, sand or debris. Allow to dry and lightly spray the wheel pivot pin with a dry silicon lubricant to keep the wheels moving smoothly. Please carefully read the lubricant instructions prior to use.
- 5 ENSURE WHEN FOLDING AND STORING** to wipe down your stroller frame and allow to dry before storing in a dry place without direct sunlight.

Did you know?

Registering your product online simplifies proof of purchase in the event of a warranty claim.

Head to our website to fill out the product registration form:
britax.com.au or britax.co.nz

MAKING A WARRANTY CLAIM

Your rights under a **Britax** company warranty are separate from and independent of your rights under the statutory consumer guarantees. What you need to do to enforce your rights under a statutory consumer guarantee is set out in the **Australian Competition and Consumer Commission's Consumer Guarantees - A Guide for Consumers**.

To make a claim under a Britax company warranty, please contact our customer service team on:

Australia: 1300 303 330

New Zealand: 0508 688 822

or alternatively by email at: aunz-support@britax.com

You will be required to:

- Return the product to the place of purchase or to a designated repair agent.
- Present your receipt as proof of purchase.
- Identify the defect in the product.
- Present the product to Britax for inspection on request.

Britax will advise you whether the product is covered by the **Britax** company warranty. **Britax's** decision of whether a product is covered by a **Britax** company warranty is final. **Britax** will act reasonably when determining whether a product is covered by a company warranty.

AUSTRALIAN CONSUMER LAW

On all of our goods, you have the benefit of a statutory consumer guarantee. In summary, goods are guaranteed to be of "acceptable quality" (fit for purpose), goods are guaranteed to match any sample against which they are sold. These consumer guarantees are provided for by the Australian Consumer Law and, if you believe any one of these guarantees is not satisfied by a Britax product, you have rights under the Australian Consumer law to enforce that guarantee.

Your rights under the statutory consumer guarantees are set out in the **Australian Competition and Consumer Commission's Consumer Guarantees - A Guide for Consumers**.

In addition to the statutory consumer guarantees, **Britax** offers its own company warranty on all of its products. You therefore have the option of seeking redress for defective or faulty product either under the **Britax** company warranty or the statutory guarantees.

After the **Britax** company warranty expires, you still have your rights under the statutory consumer guarantees.

Depending on the product involved, the **Britax** company warranty on the following page applies:

Safe-n-Sound® WARRANTY

Safe-n-Sound® products are covered by this company warranty against faulty materials and workmanship (normal wear and tear excluded) that affects the normal operation of your **Safe-n-Sound**® product. In the unlikely event that you find that your **Safe-n-Sound**® product does not satisfy this warranty, **Britax** will (at its option) repair or replace that product within a reasonable period of you making a claim in accordance with this policy.

In the event that a replacement product is no longer available, **Britax** reserves the right to provide what it considers to be a suitable alternative.

For this company warranty to apply, you must make an application before the expiration of the following periods from date of purchase*.

This company warranty does not apply to second hand or after market goods or goods used for rental, hire or other commercial purposes or to any claim where the damage or fault is, in whole or part, the result of incorrect installation, mistreatment, intentional damage, any use other than use in normal conditions or any use otherwise than in accordance with the instruction manual for that product.

Please read your instruction manual carefully before using any of our products.

INTERNATIONAL WARRANTY

Britax products are available through a network of retailers in Australia and New Zealand. If you are an international customer we do not offer a warranty service outside of these regions.

THIS PRODUCT IS NOT INTENDED FOR COMMERCIAL USE

NOTES

NOTES

In our constant pursuit of excellence we may alter this product and specification without notice.

This product may be covered by Australian and International patents and designs or pending applications. Safe-n-Sound® is a registered trademark and all Safe-n-Sound® model names are trademarks of Britax Childcare Pty Ltd.

This product is designed to comply with Australian Standard AS 2088: 2022 "Prams and Strollers - Safety Requirements"

AUSTRALIA

Britax Childcare Pty. Ltd.

A.B.N 55 006 773 600

Head office and registered address:

Level 4, 650 Lorimer Street

Port Melbourne, VIC, 3207

P.O. Box 5119

Garden City, VIC, 3207

Customer Service: 1300 303 330

Email: aunz-support@britax.com

britax.com.au

NEW ZEALAND

Britax Childcare (NZ) Ltd.

Customer Service: 0508 688 822

britax.co.nz